

FIELD BUS EXTENSION BOX

Item No : 592.740



DESCRIPTION OF FUNCTIONS

With the Fieldbus Extension Box you can build a star layout RS485 network. The integrated RS485 hub has two RS485 input channels and six RS485 output channels. As each output channel has its own line driver you can connect a RS485 leg with a maximum cable length of 1,200 m to every output. Inputs and outputs are galvanically separated from one another. The RS485 hub can also be used as a repeater.

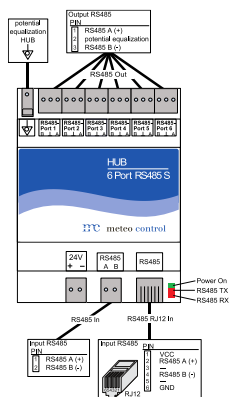
INTERFACES

Power supply input:	1 x 24 V DC + and + (tension-clamp connection up to 2.5 mm ²)
Power supply output:	8 x 24 V DC + and + (tension-clamp connection up to 2.5 mm ²)
Protective earthing:	1 x PE (push-in connection up to 6.0 mm ²)
RS485 input:	2 x RS485 two-core; A and B (tension-clamp connection up to 2.5 mm ²)
RS485 output:	6 x RS485 three-core; A, potential equalization (⊥) and B (Direct connection at hub)
Potential equalization:	1 x Potential equalization () (Direct connection at hub)
Bus termination:	integrated (set permanently)

TECHNICAL DATA

Power supply:	24 V DC
Power consumption:	max. 2 W
Protection class:	IP 66
Altitude (NHN):	max. 2,000 m
Dimensions (H x W x D):	200 x 200 x 120 mm
Weight:	2.7 kg
Operating temperature:	0 ... 55 °C
Relative humidity:	max. 95 %, non-condensing

CONNECTION



To connect Modbus devices, please refer to the RS485 connector diagram on the left and the operating manual of the Modbus devices.

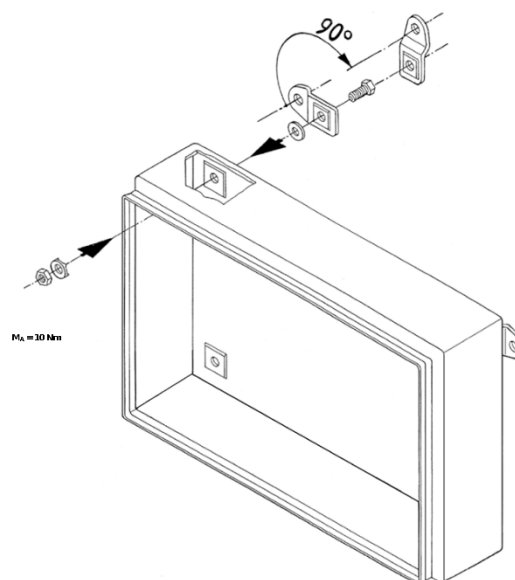
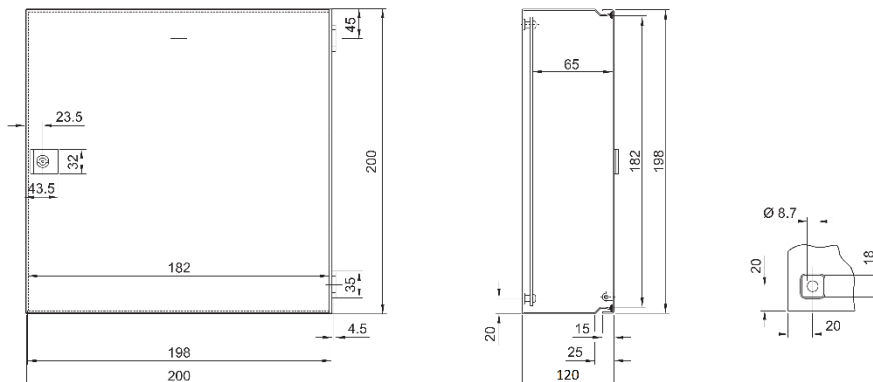
LED function:

LED		Meaning
Green:	●	On: Operational
	○	Off: Power supply fault
Red:	☀	Flashes: Sending signal TX
	●	On: RS485 A/B interchanged at input
Red:	☀	Flashes: Sending signal RX
	●	On: RS485 A/B interchanged at input

To connect meteocontrol data logger, please refer to the RS485 connector diagram on the left and the operating manual of the respective data logger.

MOUNTING

Wall mounting with enclosed mounting material.



ADDITIONAL NOTES

Conformity:

CE, 2014/30/EU, DIN EN 61000-6-2, -3, -4, IEC 61010-1

Warranty:

2 years / 5 years on request